



SPECIAL OFFER

We provide you with the tooling and the deal that best fits your needs

Looking for a Better Milling Solution?

Mill 1™

High-Performance Shoulder Milling Platforms

Mill 1-10™

- Optimised soft cutting edge.
- Elliptical edge generates 90° wall.
- Increased ramping capability due to state of the art insert and cutter body design.
- Innovative chip gash design for excellent chip evacuation and perfect cutter body stability.



Mill 1-14™

- Insert geometries and grades for most workpiece materials.
- Insert radii from 0,4mm up to 4mm.
- Axial depth of cut up to 14mm.
- Beyond™ grade technology.
- Easy cutting action, even on entry and exiting the workpiece.



Promotion applicable ONLY for products listed in our new First Choice catalogue.

Offer starts on September 1, 2019, and ends on December 31, 2019.

For more details, please contact your authorised Kennametal Representative.



SPECIAL OFFER

We provide you with the tooling and the deal that best fits your needs

Looking for a Better Milling Solution?

Mill 4™

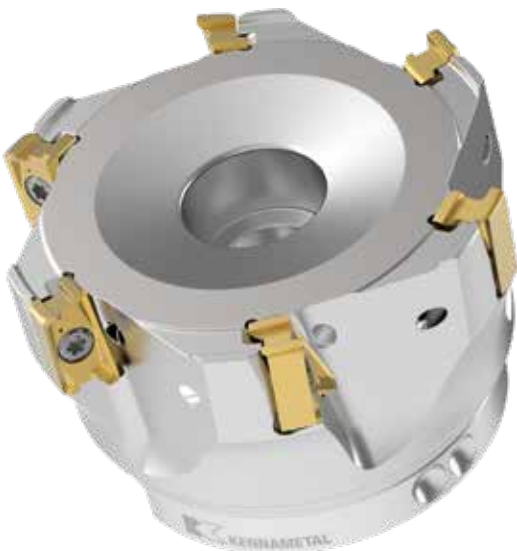
Double-Sided Shoulder Milling

Mill 4-11™

- Double-sided strong insert with 4 cutting edges.
- High positive geometry for lower cutting forces.
- Superior wall and surface finish capabilities.
- “Stepless” solution for multiple-pass operations.
- Comprehensive offering to cover all applications in all material groups.

Mill 4-15™

- Double-sided strong insert with 4 cutting edges.
- High positive geometry for lower cutting forces.
- Superior wall and surface finish capabilities.
- “Stepless” solution. No mismatch when machining walls in different steps.



Promotion applicable ONLY for products listed in our new First Choice catalogue.

Offer starts on September 1, 2019, and ends on December 31, 2019.

For more details, please contact your authorised Kennametal Representative.





SPECIAL OFFER

We provide you with the tooling and the deal that best fits your needs

Looking for a Better Milling Solution?

DodekaTM

Leader in Advanced Face Milling Applications

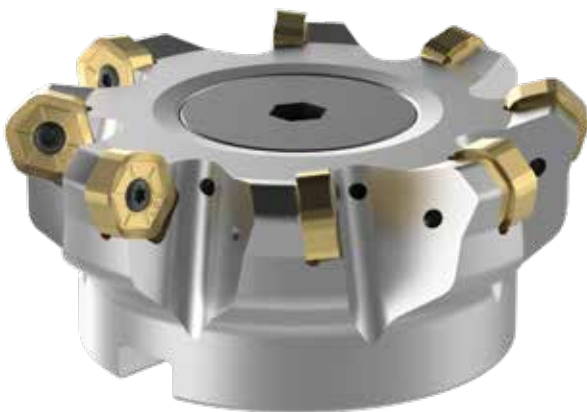
Most comprehensive face milling platform on the market. Providing an excellent cost-per-cutting edge with market leading performance. The Dodeka Series platform will cover all your face milling application needs.

Dodeka

- Insert size HN.J0905
- Ap1 max = 4,5mm

Dodeka Mini

- insert size HN.J06
- Ap1 max = 4,4mm
(for approach angle 60°)



Promotion applicable ONLY for products listed in our new First Choice catalogue.

Offer starts on September 1, 2019, and ends on December 31, 2019.

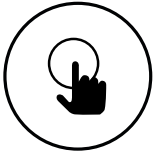
For more details, please contact your authorised Kennametal Representative.





First Choice Keeps You Running

Easy to select, easy to order, easy to apply, exceptional performance — that's First Choice! The most versatile high-performing products from Kennametal, covering 80% of the applications you machine on a daily basis. You can count on us to keep your operations running!



Easy

Easy to select, easy to order, easy to apply.

Whether you browse through the catalogue or online, with First Choice everything will be easy.

Application data and ordering information at your fingertips.



Premium Support

First Choice isn't just tooling; it's an experience.

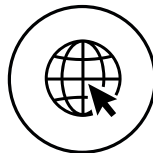
Need assistance with tool selection and performance optimisation?

No problem, call our customer application support (CAS) today. See page ii, for your local (CAS) region number. (A-18-05828)



Premium Shipping

First Choice product availability ensures orders received by 6pm (CET) are shipped the same day.



Digital

Easily identify First Choice products throughout your digital experience.

Kennametal Konnect — Order 24/7

NOVO™ — Selection made easy

Apps — Mobile Access



Premium Performance

Do more with less.

First Choice delivers versatile, high-performing products resulting in optimum machine utilisation.

For complete product overview and application data, please see our brand new First Choice catalogue.



Looking for a Better Milling Solution?

SPECIAL OFFER

We provide you with the tooling and the deal that best fits your needs

Distributed by:

Promotion applicable ONLY for products listed in our new First Choice catalogue.

Offer starts on September 1, 2019, and ends on December 31, 2019.

For more details, please contact your authorised Kennametal Representative.

